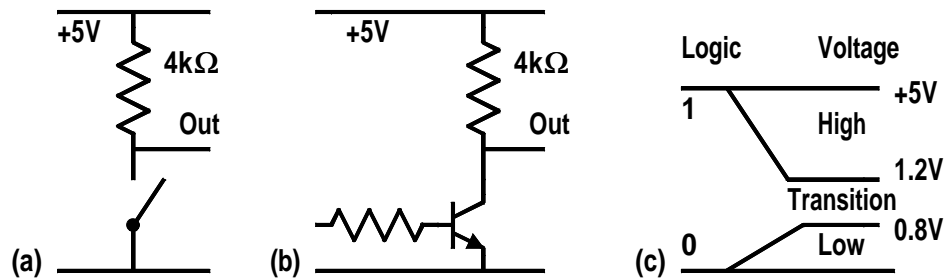
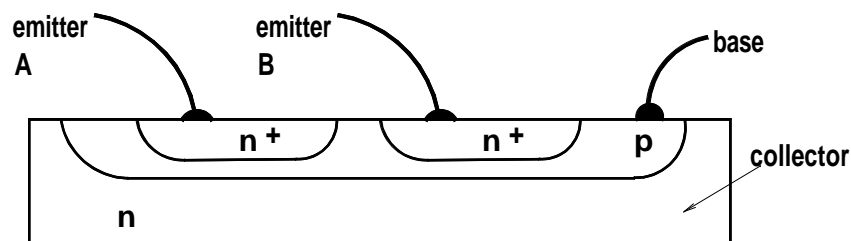
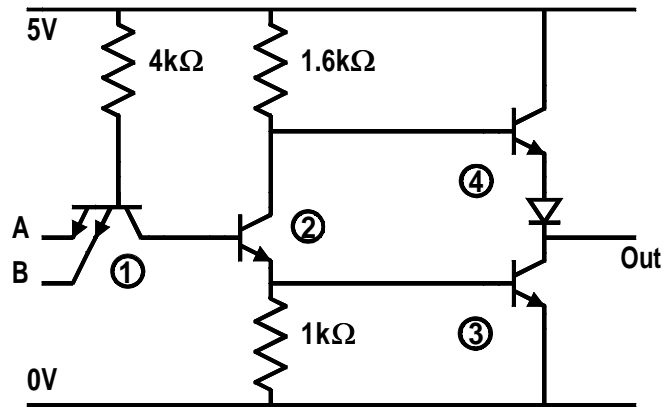


- In transistor-transistor logic
    - a nominal 0 V represents a logic 0
    - a nominal +5 V represents a logic 1.
  - Transistor-transistor logic gates operate as current sinking devices.
-



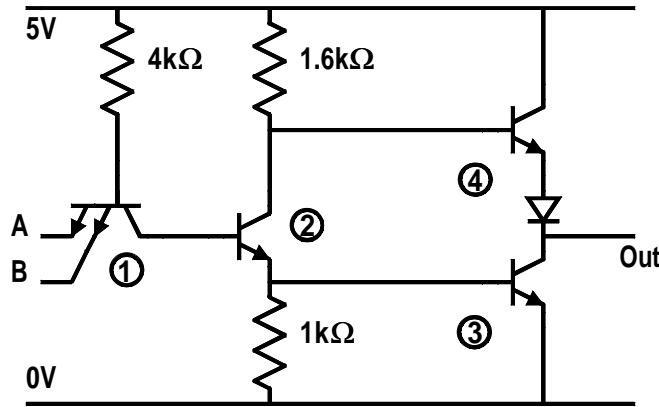
Voltage and logic levels in an inverter (NOT) gate.

---



Double emitter construction of input transistor.

---



A	B	1	2	3	4	OUT
0 V	0 V	ON	OFF	OFF	ON	+5 V
5 V	0 V	ON	OFF	OFF	ON	+5 V
0 V	5 V	ON	OFF	OFF	ON	+5 V
5 V	5 V	B-C F. biased	ON	ON	OFF	0 V
N.C.	N.C.	B-C F. biased	ON	ON	OFF	0 V

